

Current Sense Xfmr-SMD Type: 0-10A, 250kHz+

Designed to monitor current at 250kHz and above. These transformers have a primary current rating of 10 Amps max.

Part No.	Turn Ratio N1:N2	Sec Inductance uH Min.	Sec DCR mΩ Max
<u>CSE5-100201</u>	1:20	80	550
<u>CSE5-100301</u>	1:30	180	870
<u>CSE5-100401</u>	1:40	320	1140
<u>CSE5-100501</u>	1:50	500	1500
<u>CSE5-100601</u>	1:60	720	1750
<u>CSE5-100701</u>	1:70	980	4750
<u>CSE5-101001</u>	1:100	2000	5500
<u>CSE5-101251</u>	1:125	3000	6500

CSE5-101251

Description:

EE5 Surface mounting design
 Height: 5.3mm Max
 Optimal performance at 250 kHz and above
 Primary Current Rating: 10 amps
 Insulation Resistance: 10MΩ Minimum
 Operating Temperature Range: -15°C to +105°C
 Custom designs available

Application:

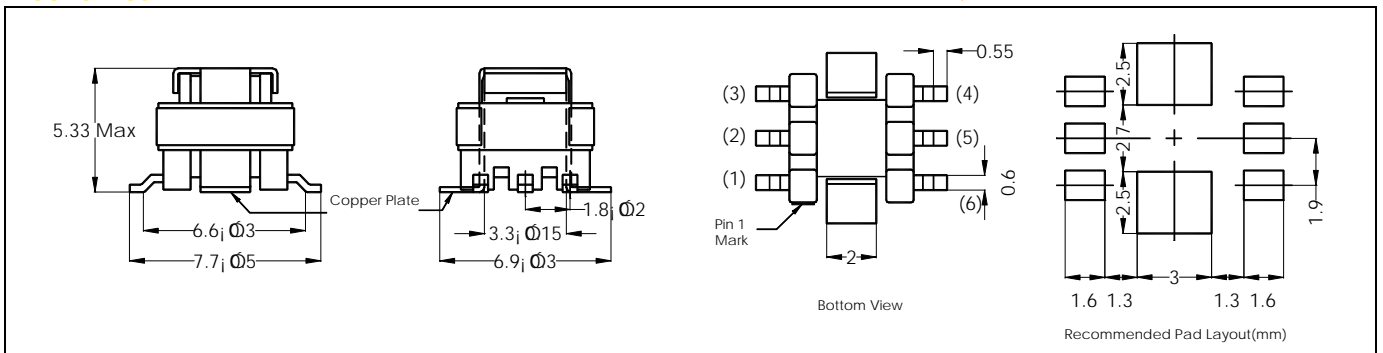
Ac current detection
 Output supply for control circuit
 Switching Power Supply



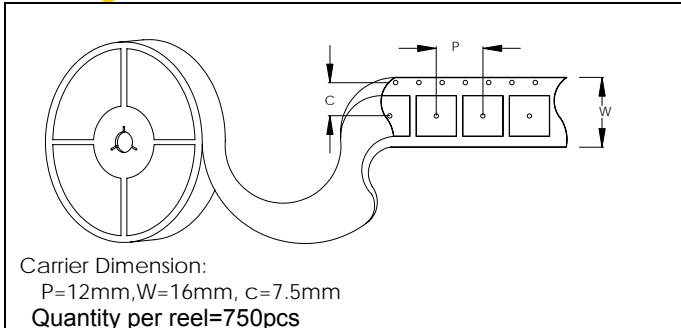
Electrical Specifications @ 25C

Turns N1:N2	Secondary Min Inductance (μH)	Secondary Max DCR (mΩ)	Color Code	
			Dot	Tape
1:125	3000	8500	WHT	BLU

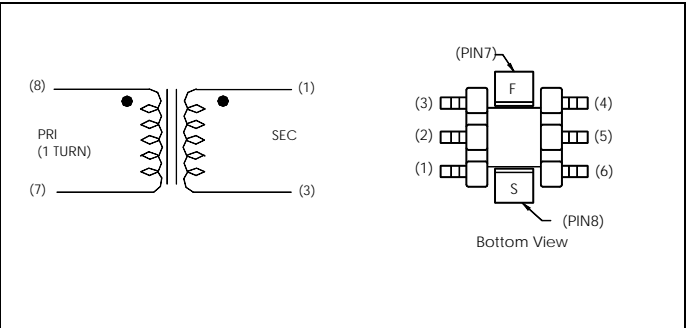
Mechanical:



Packing:



Schematic:



RoHS Compliance: As of manufacturing date February 2005, all standard products meet the requirements of 2002/95/EC, known as the RoHS initiative.